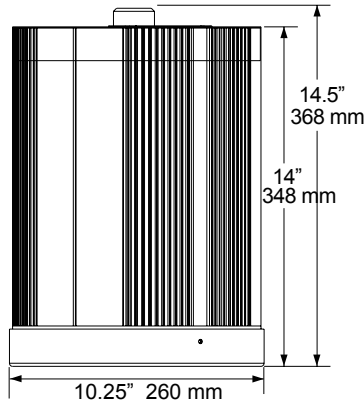




APOLLO LED DOWNLIGHT



SIDE VIEW

MODEL / WATTS	REPLACES
• APDL-250 / 81W	250W MH
• APDL-400 / 130W	400W MH



DESCRIPTION

Affineon's **Apollo LED Downlight (DL)** is a commercial grade fixture that offers unique features and economic advantages that make a compelling case for either retrofitting conventional 400 watt HID metal halide fixtures, or for new construction. The Apollo Downlight easily replaces commonly used HID fixtures in warehouses, distribution centers and big box retail stores.

FEATURES & BENIFITS

- Payback periods as short as 7 months*
- **Apollo DL-400** provides equivalent light output of a 400W metal halide using only 126W (**70% energy savings**)
- 60,000 Hours Rated Life to depreciate to 70% of original light output (L70 – 13.7 years at 12 hr/day)
- Maintenance free for the life of the fixture – no bulbs or ballasts to replace
- 1/3rd the heat of equivalent metal halide source - saves on air conditioning costs
- Available in standard ANSI color temperatures: 3000K**, 4000K**, 5000K***
- Solid State Circuitry
- High quality light source without the glare of metal halide sources
- Even light distribution
- Eliminates costs and downtime associated with maintenance of conventional lighting
- Generally accepted as a “friendlier” light that improves working efficiencies
- Cycling the fixture ON and OFF does not lower the rated life of the fixture
- Universal input voltage (100-277VAC, 47-63Hz)
- Made in the USA
- 5 Year Warranty Limited Parts

*Depending upon usage rate and cost/kW-hr

**Available March 2011

***Available January 2011

PAYBACK TABLES

Retro-Fit a 400W MH HID

		PAYBACK PERIOD (YEARS)			
		1.0	1.2	1.5	2.0
KWH RATE	.15	1.0	1.2	1.5	2.0
	.125	1.1	1.4	1.7	2.3
	.10	1.3	1.6	1.9	2.6
		24	20	16	12
		HOURS PER DAY			

New Construction vs 400W MH HID

		PAYBACK PERIOD (YEARS)			
		0.6	0.7	0.9	1.2
KWH RATE	.15	0.6	0.7	0.9	1.2
	.125	0.7	0.8	1.0	1.3
	.10	0.8	0.9	1.1	1.5
		24	20	16	12
		HOURS PER DAY			