

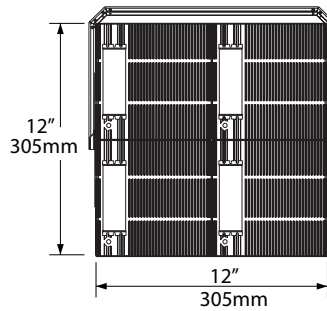
PROJECT:	
TYPE:	QUANTITY:
AGENT:	DATE:
Rev: 120310	
Copyright © 2010 Affineon Lighting	

ARCHITECTURAL & COMMERCIAL SOLID STATE LIGHTING

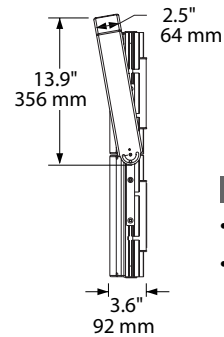
## MODULAR AREA LIGHT



MODULAR AREA LIGHT  
SHOWN WITH STANDARD YOKE MOUNT



REAR VIEW

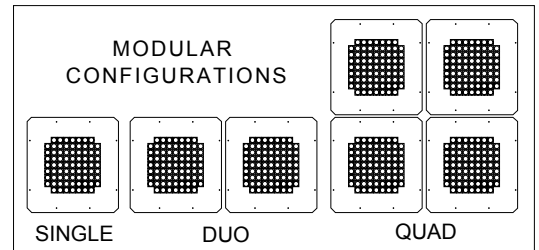


SIDE VIEW

**IP65**

**MODEL**      **REPLACES**

- MA-1500 70W    150W MH
- MA-2500 96W    250W MH



### DESCRIPTION

The Modular Area Light Series is a high powered and highly efficient LED outdoor rated luminaire for area lighting, security lighting for schools and other facilities, building façade illumination and racquetball and tennis court lighting. The modular design employs a slot on each side of the unit that provides a connection point where up to 3 additional units can be attached. The Modular "Duo" or Modular "Quad" configurations can be viewed above. The standard swivel yoke bracket can be attached to a pole, building façade or concrete base for up lighting applications.

### SPECIFICATIONS

<b>MATERIALS:</b>	Aluminum body and heat sink; Stainless steel swivel yoke; Lens - hardened polycarbonate.	<b>BEAM ANGLES:</b>	12°, 50°, 12° x 50°, 120°
<b>LAMP LIFE:</b>	70% lumen maintenance at 60,000 hours, 25C	<b>DIMENSIONS:</b>	12" x 12" x 3.75"
<b>IP RATING:</b>	IP65	<b>MOUNTING:</b>	Pendant Single / Yoke Single (Std) Yoke Duo / Yoke Quad
<b>POWER:</b>	MA-1500 70W / MA-2500 96W (Single unit)	<b>FINISH:</b>	Silver Anodized Aluminum Alloy (Std) Optional finishes available
<b>VOLTAGE:</b>	Universal 100 - 277VAC with standard 24VDC output	<b>WEIGHT:</b>	13 lbs for single unit
<b>COLOR TEMP:</b>	Warm White 3000K / Neutral White 4000K / Cool White 5000K	<b>WARRANTY:</b>	5 Year Limited Parts

### CERTIFICATIONS



### ORDERING LOGIC (EXAMPLE: MA - 2500 - U - NW - 50 - Y1 - S)

MODEL	LED ENGINE	VOLTAGE	COLOR TEMP	BEAM ANGLE	MOUNTING	FINISH
<b>MA</b>	-	<b>U</b>	-	-	-	-
Modular Area Light	<b>1500</b> 70W <b>2500</b> 96W	100-277 VAC Universal Power Supply	<b>WW</b> 3000K <b>NW</b> 4000K <b>CW</b> 5000K	<b>12</b> 12° <b>50</b> 50° <b>R</b> 12° x 50° <b>120</b> 120°	<b>P1</b> Pendant Single <b>Y1</b> Yoke Single <b>Y2</b> Yoke Duo <b>Y4</b> Yoke Quad	<b>S</b> Silver <b>B</b> Black <b>HB</b> Hard Ano Black <b>HT</b> Hard Ano Titanium