

PROJECT	
AGENT	DATE
TYPE	QUANTITY

ver.050512



# DOWNLIGHT / HIGHBAY

## COMMERCIAL LED

### INDOOR RATED

### DESCRIPTION

The **Downlight / Highbay** is a robust designer downlight fixture intended to replace incandescent and metal halide lamps in warehouses, big box stores, arenas, convention centers, churches, retail and high atrium ceilings. The Downlight / Highbay has a brushed aluminum anodized finish, and features a cylindrical extruded aluminum housing that provides physical and thermal component protection. An optional reflector can be added for a true High Bay look. The fixture can be ordered with an optional DMX dimming interface or Light Sensing. The LED's are recessed 1.5" into the can for side light cut off. Optional mounting systems available.

### SPECIFICATIONS

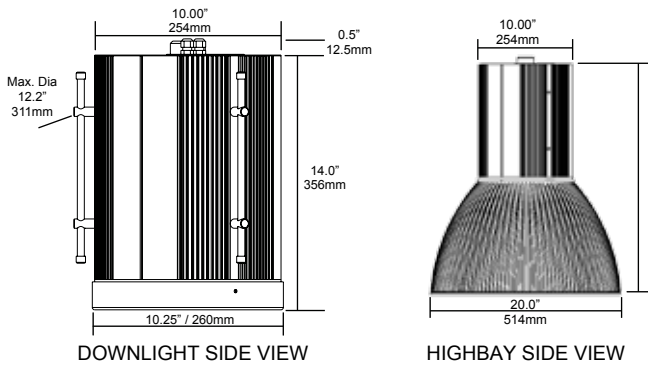
- MATERIALS:** Anodized aluminum alloy, Stainless steel hardware. Glass or Polycarbonate cover opt.
- LAMP LIFE:** 70% lumen maintenance at 60,000 hrs. 25C
- IP RATING:** Indoor
- CERTIFICATIONS:** ETL
- POWER:** DL-1500 70W / DL-2500 96W  
DL-4000 150W / DL-5000 192W
- VOLTAGE:** Universal 100-277VAC, 47-63Hz  
Optional 240-480VAC 47-63Hz
- COLOR TEMP:** Warm White 3000K / Neutral White 4000K / Cool White 5000K
- BEAM ANGLES:** 14° / 23° / 32° / 60°/ 22°x42° / 120°
- DIMMING:** None (Std). DMX and Light Sensing optional
- DIMENSIONS:** 10.25" diameter, (12.2" max dia.) 14.0" high
- MOUNTING:** Ceiling pendant mount (Std.)  
Yoke, Recessed, Cable or Wall mount opt.
- FINISH:** Silver Anodized Aluminum Alloy (Std.)  
Black Anodized Aluminum Alloy (Std.)  
Other Finishes are Special Order
- WEIGHT:** DL-1500/2500: 29 lbs  
DL-2500/4000/5000: 32 LBS
- WARRANTY:** 5 Year Limited Parts
- MFG. ORIGIN:** Made in USA



DOWNLIGHT

HIGHBAY

### TECHNICAL SPECIFICATION



### PHOTOMETRICS

Beam diameter is to 50% of maximum footcandles. Footcandle values are initial, apply appropriate light loss factor where necessary

#### Cone of Light: DL-5000/CW-60°

Distance to Illuminated Plane	Initial Nadir Footcandles	Beam Diameter
3'0"	908	3'0"
10'0"	172	9'0"
20'0"	45	17'0"
30'0"	21	24'0"

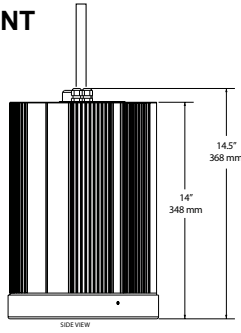
### ORDERING LOGIC

MODEL	LED ENGINE	VOLTAGE	COLOR TEMP	BEAM ANGLE	DIMMING	MOUNTING	FINISH	LENS
<b>DL</b>	-	-	-	-	-	-	-	-
Decorative Downlight Fixture	<b>1500</b> 70W <b>2500</b> 96W <b>4000</b> 150W <b>5000</b> 192W	<b>100</b> 100-277VAC <b>240</b> 240-480VAC	<b>WW</b> 3000K <b>NW</b> 4000K <b>CW</b> 5000K	<b>14</b> 14° <b>23</b> 23° <b>32</b> 32° <b>60</b> 60° <b>22X42</b> 22°x42° <b>120</b> 120°	<b>N</b> None <b>DMX</b> DMX <b>LS</b> Light Sensing	<b>P</b> *Pendant (Std) <b>Y</b> Yoke Mount <b>R</b> Recessed <b>C</b> Cable Mount <b>W</b> Wall Mount	<b>S</b> Silver <b>B</b> Black	<b>R</b> - *Reflector <b>P</b> - Polycarbonate <b>D</b> - Diffused <b>H</b> - Honeycomb

PROJECT	
AGENT	DATE
TYPE	QUANTITY

ver.050512

**PENDANT MOUNT**



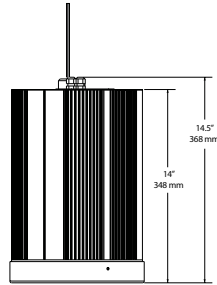
**DOWNLIGHT / HIGHBAY**  
COMMERCIAL LED  
INDOOR RATED

**MOUNTING OPTIONS**

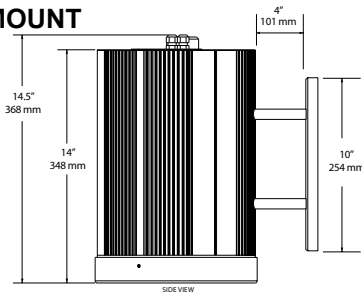
**MOUNTING:**

Pendant Mount - Standard for Downlight & Highbay  
 Cable Mount - Optional for Downlight & Highbay  
 Wall, Yoke or Recessed Mounts - Optional for Downlight  
 ONLY (Not available for Highbay).

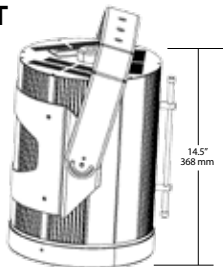
**CABLE MOUNT**



**WALL MOUNT**



**YOKE MOUNT**



**RECESSED**

