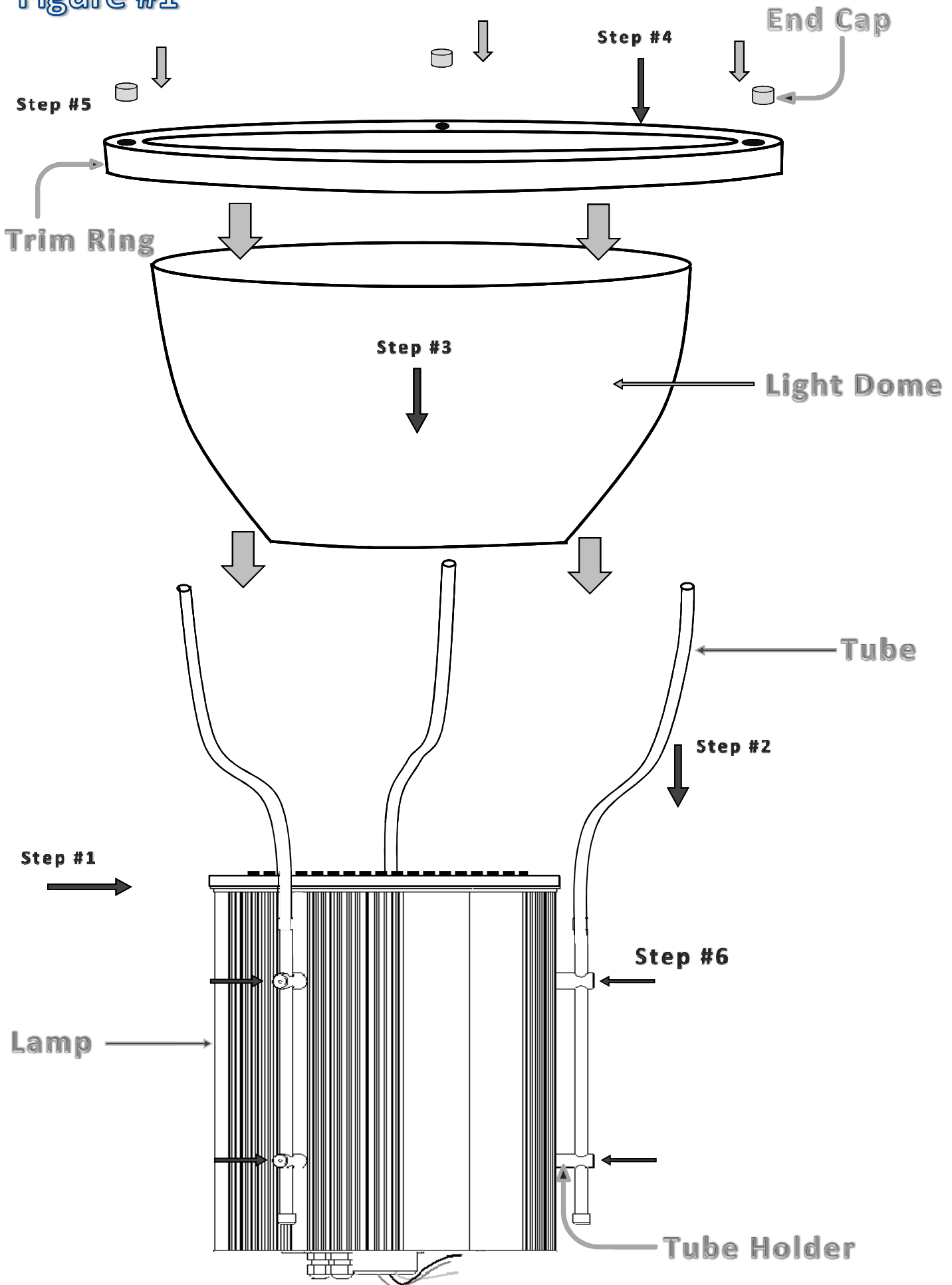


Figure #1



RECOMMENDED INSTALLATION GUIDE

Warnings and Important Safeguards

When Using Electrical Equipment, Basic Safety Precautions Should Always Be Followed Including:



**** Read and follow all safety Instructions**

- ** Save all instructions. Distribute / Notify all installers of warning and safety instructions.
- ** Do not use this equipment for other than intended use. Fixture is intended for indoor installation only.
- ** Install only in accordance with National Electrical Code and local electrical codes.
- ** Installation and servicing to be performed by qualified personnel.
- ** **High Voltage** is present at the power supply. To avoid shock or fire, disconnect power at service panel prior to installation or maintenance.
- ** Ground fixture and power supply to avoid potential electrical shock and ensure proper system operation.
- ** AC power source is required. See fixture label with power requirements.
- ** Connect only to power source with specified voltage and frequency.
- ** Connect Power Supply to Load (Fixture) before applying power.

No User Serviceable Parts. Refer Servicing And Installation To Qualified Personnel

**NOTE: Do not drop or hold lamp by dome.
Dome material is not strong enough and
lamp/fixture is heavier in comparison.**

- 1- Place fixture with the LED side facing upward (ref. fig.#1).
- 2- Insert support tubes into tube holders.
- 3- Place light dome on lamp while tubes cradle dome.
- 4- Place trim ring on fixture, allow tubes to feed through holes on trim ring.
- 5- Install end caps on tubes and tighten.
- 6- Once tube endcaps are installed securely, tubes may be secured by setscrews on tube holders.
- 7- Secure all tubes and turn lamp around, LED side facing the floor.