

PROJECT	
AGENT	DATE
TYPE	QUANTITY

ver.050512



2X2 PANEL LUMINAIRE
EDGE LIT

2X2 PANEL LUMINAIRE EDGE LIT

COMMERCIAL LED

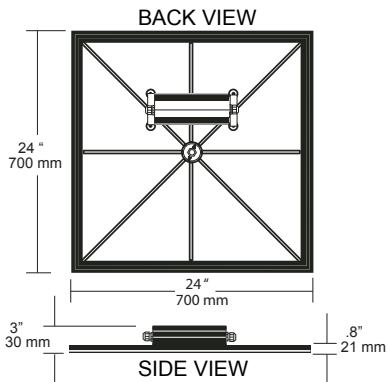
INDOOR RATED

IP66

DESCRIPTION

The **2x2 Panel Luminaire** is an Edge-Lit LED light for drop ceilings, surface mount (optional), and suspended applications. It replaces a 2x4 T8, 4 Tube fluorescent fixture. The Panel Luminaire 2x2 is available in a variety of color temperatures, is line voltage dimmable, and driven with a 60W power supply. DMX and various control capabilities are optional. Ultra-thin form allows many design applications and ideas, including zero plenum. The 2x2 Panel Luminaire provides uniform, soft illumination and extended lifetime with significant savings over typical two-lamp parabolic fluorescent fixtures. Emergency back-up optional.

TECHNICAL SPECIFICATION



PHOTOMETRICS

Beam diameter is to 50% of maximum footcandles. Footcandle values are initial, apply appropriate light loss factor where necessary.

Cone of Light: SL2x2/CW

Distance to Illuminated Plane	Initial Nadir Footcandles	Beam Diameter
3'0"	114	6'0"
8'0"	22	11'0"
12'0"	10	16'0"

SPECIFICATIONS

MATERIALS:	Anodized aluminum extrusion with acrylic layers, 20 gauge steel back plate.
LAMP LIFE:	70% lumen maintenance at 50,000 hrs. 25C
IP RATING:	Indoor Rated
POWER:	60W
CERTIFICATIONS:	ETL / Made in USA
VOLTAGE:	120VAC (std.). Universal 85 - 277VAC with standard 24VDC output optional.
COLOR TEMP:	Warm White 3000K / Neutral White 4000K / Cool White 5000K
BEAM ANGLES:	360° x 180° (std.). 360° x 90° optional
DIMMING:	Triac (std.) 120V version only. DMX (opt.) requires Universal Power Supply.
DIMENSIONS:	3" x 24" x 24"
MOUNTING:	Lay-in (std.) / Surface Mount kit with enclosure (opt.) / Pendant Mount
FINISH:	Silver Anodized Aluminum Alloy (std) optional finishes available
WEIGHT:	16 lbs
WARRANTY:	5 Year Limited Parts



ORDERING LOGIC

MODEL	VOLTAGE	COLOR TEMP	BEAM ANGLE	DIMMING	MOUNTING	FINISH	ACCESSORIES
SL2x2	-	-	-	-	-	-	<input type="checkbox"/> Emergency Backup <input type="checkbox"/> DMX Dial
2x2 Panel Luminaire Edge-Lit	120 120VAC U 85-277VAC Universal Power Supply	WW 3000K NW 4000K CW 5000K	180 360°x180° 90 360°x90°	N None T Triac DMX DMX*	L Lay-in SM Surface Mount P Pendant	S Silver H Hard Anodizing	

*Requires Universal Power Supply